

08-0104-012)

637.521.258.02

гермаши
ку. 1



ОТДЕЛ
ПРОЦЕССНЫХ
КАТАЛОГОВ ВНИИПМ

poly-clip[®]
SYSTEM

FCA
3441

AUTOMATIC
DOUBLE-
CLIPPER

- For chubs up to 65 mm in diameter
- Suitable for rings
- Special voiding system ensures clean sausage tails
- Up to 140 cycles per minute
- Suitable for non-food applications



Innovation, Service, Customer Focus

COMPACT - VERSATILE - HIGH PERFORMANCE: THE

Applications

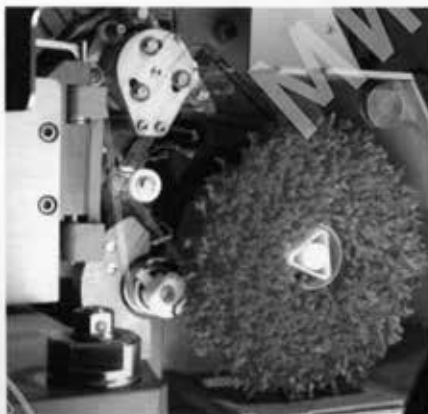
Artificial, fibrous and collagen casings can be used with the automatic double-clip machine FCA 3441. Sausages up to 65 mm in diameter, in the case of special applications even larger, are clipped with clip sizes of 12 and 15 mm.

For suspending chubs or sausages in a string, loops can be clipped with an automatic looper (GSA). The loops are placed in the predetermined cutting rhythm.

For the production of rings, the string dispenser controls the length of the string between the ends of the sausages. Thus pressure marks caused by smoke sticks are avoided.

Advantages

- Compact design
- Preselect switch for sausages in strings
- Short casing change times through employment of swing-out filling horn
- Paperfree loops
- Date coding on clip
- Firm filling and attractive appearance due to patented pneumatic casing brake
- Easy maintenance



Automatic looper (GSA 20):
The loops are applied without any paper.



Optional equipment

- Automatic looper GSA 19 or GSA 20 (for paperfree loops)
- String dispenser
- Casing end switch
- Swing-out filling horn
- Pneumatic casing brake
- Length control
- Labelling system
- Clip coding
- Social equipment for non-food applications

Function and operation

The FCA 3441 is mechanically connected and electrically coupled with filling machines. The exact portions are produced by the filling machine. The special voiding separator guarantees an accurate transfer, and the portions are clipped to individual chubs. The double-clip machine is electronically controlled by a PLC. The E-PROM

can be matched to special requirements by our factory. The electronic control panel contains all the basic functions including a preselect switch which can be set for a number of sausages in a string up to a maximum of 15, at the end of which a loop is applied. It also has a number of control dials which allow variation in delay



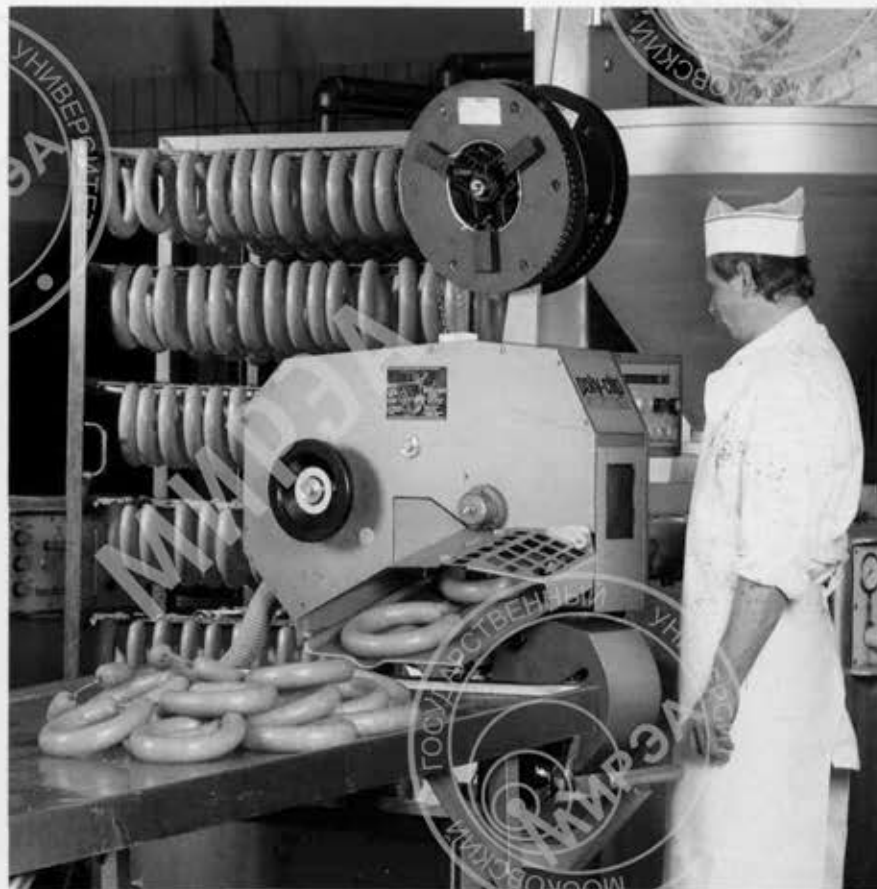
The swing-out filling horn allows for easy casing change.

THE AUTOMATIC DOUBLE-CLIPPER FCA 3441



User-friendly: the Easy-on/Easy-off quick change system.

times between portions and casing brake pressure during operation. The control panel also features indicator lights and gauges for machine functions and safety.



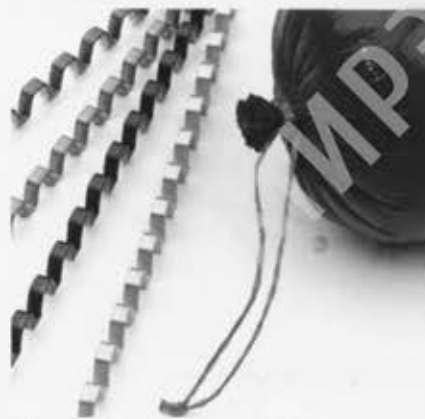
Easy identification: labels, which are imprinted during production.

Combinability

The FCA 3441 can be coupled with the automatic sealing machine TSA shown right. The TSA uses economic flat roll stock film. A ready-to-fill tube is transferred to the clipping machine.

The system with the preformed clip

The preformed clip system offers considerable safety to the user in the production process. Safety begins with the selection and thorough check of the raw material. The manufacture of clip fasteners requires very high precision, which can only be achieved using special tools and machinery. We offer a complete



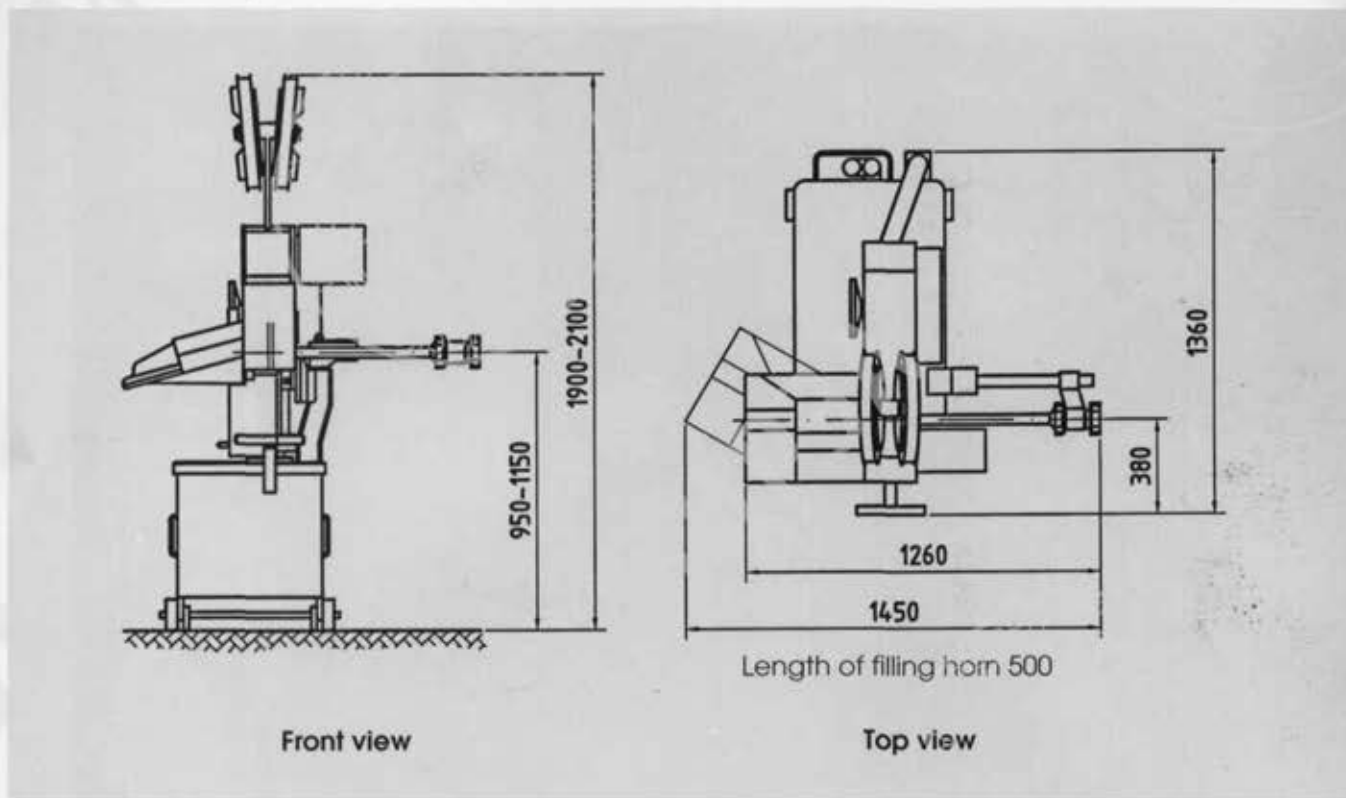
Clips and loops are available in many colours. Together with the clip-coding they offer a variety of possibilities to identify products.



system - supplying machines, clips and loops. This ensures trouble-free operation. All clips comply with the strict regulations of the food industry. The Poly-Clip SAFE-COAT treatment renders drawing compounds and greases superfluous.

TECHNICAL DATA

Dimensions (In mm)



Technical Data

FCA 3441

Width:	1,450 mm
Depth:	1,320 mm
Height:	1,900 mm
Weight:	366 kg
Rotary current connection:	230/400 V, 50/60 Hz
Power consumption:	1.2 kWh
Fuse connection:	10 A
Compressed air:	5-7 bar/0.5-0.7 MPa
Air consumption:	2.1 NL/cycle



Poly-clip System GmbH & Co. KG
Westerbachstraße 45 · D-60489 Frankfurt
Ph.: +49 (0) 69 78 06 -0 · Fax: 78 06 -360
www.polyclip.com · contact@polyclip.de